

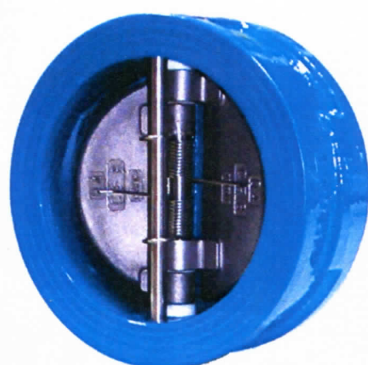
Mueller Steam Specialty

Model: 71, 71U

Cast Iron Sure Check™ Valve

71 **Class 125**

71U **Class 125**



Pressure Temperature Rating			
Model	Size	Material	Pressure
71	2"-12"	Cast Iron	200 PSI @ 100 ° F
71	50mm-300mm	Cast Iron	13.8 bar @ 38 ° C
71	14"-54"	Cast Iron	150 PSI @ 100 ° F
71	350mm-1380mm	Cast Iron	10.3 bar @ 38 ° C

* Max. temp. depends on seat and spring material. See ordering code.

SERVICE RECOMMENDATIONS

These elastomer seated valves are designed for liquid and gas service to prevent surge and water hammer due to flow reversal. Specially designed springs close the discs before flow reversal can occur.

FEATURES

The extremely short face-to-face dimension and compact design of this valve allow installation and service in tight spaces. The specially designed torsion springs exert a lifting motion on the discs to prevent excessive wear of the "heel" area of the elastomer seats. On site service may be done without special tools. The independent, dual shaft design allows interchangeability of shafts. The stop shaft stabilizes the discs during high flow rates.

ORDERING INFORMATION

We require all pertinent conditions relating to the proposed use of the check valve. They are: operating pressure, temperature, flow rate or velocity and type of pump in the system. If corrosive fluids are involved we should be advised. Consult factory for applications such as pump suction and volatile liquid handling.

INSTALLATION

Sure Check™ is equally effective for vertical or horizontal flow. Horizontal flow shafts should be oriented vertically. Consult factory for downward vertical flow. Sure Check™ is designed to fit inside ANSI bolt circles. We strongly suggest the installation of a strainer ahead of the pump to ensure protection of the pump and the working parts of the valve.

CONSTRUCTION

#71 Sure Check™ is normally furnished with cast iron (ASTM A126-B) bodies. #71U Sure Check™ is furnished with ductile iron bodies. The disc material for sizes through 5" (125mm) is bronze (85-5-5-5, ASTM B62); sizes 6" (150mm) through 54" (1380mm) can be supplied with nickel coated ductile iron or bronze discs. Discs in 316 stainless steel are also available in all sizes. Standard shaft and spring material is 316 stainless steel. The elastomer seat normally furnished is Buna-N. Consult factory for high temperature service.

TESTING

The shell and seat of each valve are hydrostatically tested in accordance with ANSI standards.

APPROVALS

Sure Check™ Valves conform to ANSI specifications, API specification, Factory Mutual requirements and U.L. requirements. Consult factory about specific models and sizes.

MATERIALS:

Body-	71: Cast Iron ASTM A 126-B
	71U: Ductile Iron
Disc-	Bronze ASTM B62, Ductile Iron ASTM A536
	316 Stainless Steel ASTM A351 Grade CF8M D18.
Seal	Buna-N / EPDM



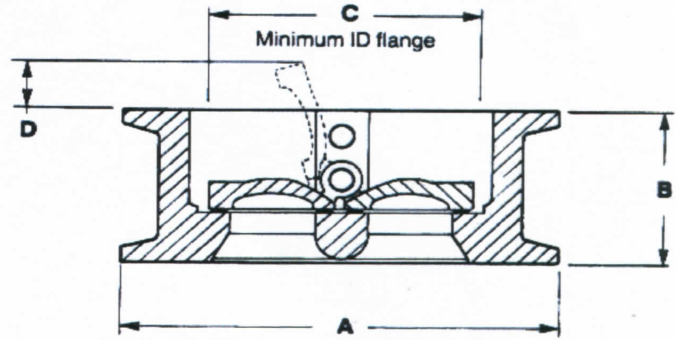
1491 N.C. Hwy 20 West, St. Pauls, NC 28384

Mueller Steam Specialty

Dimensions and Weights

UL Model 71U Only - Pressure 175 WOG

size	in.	4	6	8	10	12
	mm.	100	150	200	250	300
A		6-7/8	8-3/4	11	13-3/8	16-1/8
		174.6	222.3	279.4	333.9	409.6
B		3-5/8	4-1/8	4-3/4	6	7-3/8
		92.1	104.8	120.7	152.4	187.3
C		N/A	4-1/8	6-5/8	8-1/4	9-7/8
		N/A	104.8	168.3	209.6	250.8
D		N/A	19-32	1-1/2	1-5/8	2
		N/A	15.1	38.1	41.3	50.8
WEIGHTS	lb	15	33	58	89	160
	kg	6.8	15.0	26.3	40.4	72.6



Standard Model 71's Only

size	in.	2	2 1/2	3	4	5	6	8	10	12
	mm.	50	65	80	100	125	150	200	250	300
A		4	4-3/4	5-1/8	6-1/8	7-3/8	8-1/2	10-1/2	13	14-3/4
		101	121	131	156	187	217	267	330	375
B		1-11/16	1-13/16	2-1/2	2-1/2	2-3/4	3	3-1/2	4-1/2	4-1/2
		43	46	64	64	70	76	89	114	114
C		NA	1-1/8	2-1/2	3-7/16	4-1/2	5-3/8	7-1/2	9-1/2	11-3/4
		NA	28.6	63.5	87.3	114.3	136.5	190.5	241.3	298.5
D		NA	5/32	5/8	15/16	1-11/32	12-3/32	2-1/2	3-3/8	4-1/8
		NA	4.0	15.9	23.8	34.1	43.7	63.5	85.7	105
WEIGHTS	lb	4	5-1/2	7-1/2	13-1/2	17-1/2	26-1/2	50	70	108
	kg	1.8	2.5	3.4	6.2	8.0	12.0	22.7	31.8	49

size	in.	14	16	18	20	24	30	36	42	48	54
	mm.	350	400	450	500	600	750	900	1050	1200	1380
A		16-1/2	19	21-1/8	23-3/8	27-1/2	34-3/4	41-1/4	48	54-1/2	61
		420	483	538	593	697	882.7	1048	1219.2	1384.3	1549.4
B		5	5-1/2	6	6	7	12	15-1/4	17	20-5/8	21-1/4
		127	140	152	152	178	304.8	387.8	431.6	523.9	539.8
C		12	14-7/16	16-5/16	18-1/4	22-11/16	28-23/32	33-1/2	41	47	49
		304.8	366.7	414.3	463.6	576.3	729.5	850.9	1041.4	1194	1244.6
D		3-1/8	4-3/8	5-1/8	6	8-1/2	11	11-3/8	15-1/4	16-3/4	16-1/2
		79.4	111.1	130.2	152.4	215.9	279.4	288.9	387.4	425.5	419.1
WEIGHTS	lb	170	225	280	390	590	1050	1600	2850	3400	6050
	kg	77.1	102	127	177	268	476	726	1293	1542	2744



1491 N.C. Hwy 20 West, St. Pauls, NC 28384